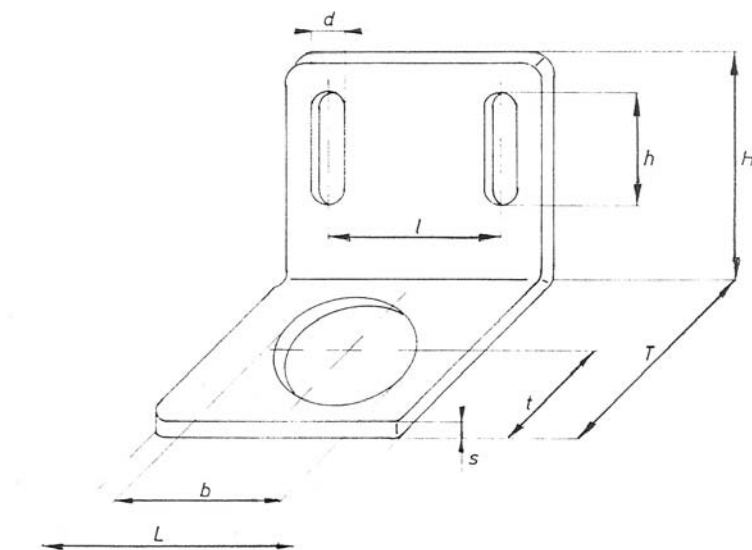


This drawing is protected by the law about copyright protection.



All dimensions in mm

Art. No.	Ident No.	L	l	s	h	H	d	T	t	b
630/1-B	100746	41.0	26.5	2.0	16.0	30.0	5.5	50.0	20.0	30.5
630/2-B	100747	58.0	35.0	3.0	20.0	40.0	7.0	70.0	27.5	43.0